

TUBE BEND ORDER FORM

From:

To:

Woolf
AIRCRAFT PRODUCTS, INC.

6401-A Cogswell Road
Romulus, MI 48174

734 721-5330 Ph
734 721-3490 Fax

Your Name

Company Name

Ship To Address

Area Code

Phone

City

State

Zip Code

Area Code

Fax

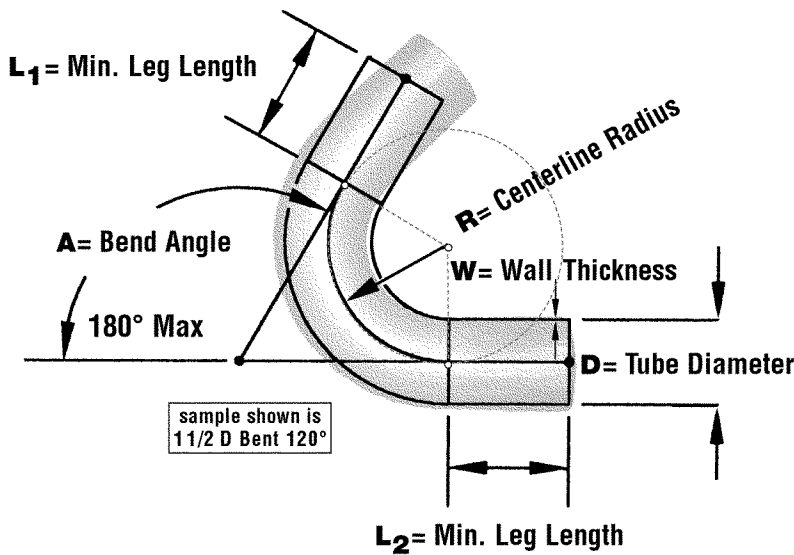
TUBE ELBOWS IN STOCK OR CAN BE CUSTOM BUILT

(See Our Bend Die List "bendlist.pdf" at www.woolfaircraft.com)

Proceed With Order

Quote Only

Check One Box Please



D

TUBE DIAMETER

W

WALL THICKNESS

R

CENTERLINE RADIUS

A

DEGREE OR BEND ANGLE

L₁

MIN LEG LENGTH

L₂

MIN LEG LENGTH

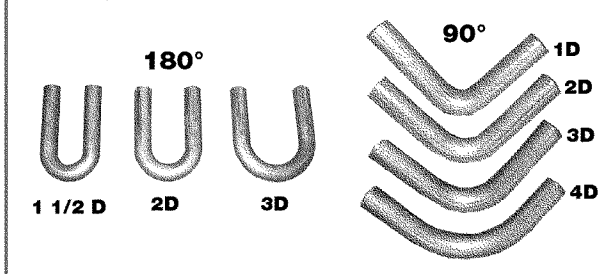
TYPE OF MATERIAL

QUANTITY

DELIVERY NEEDED

SHIP VIA

Examples of Same Diameter Bent Elbows



NOTES:

Fax your request to Woolf: 734-721-3490